

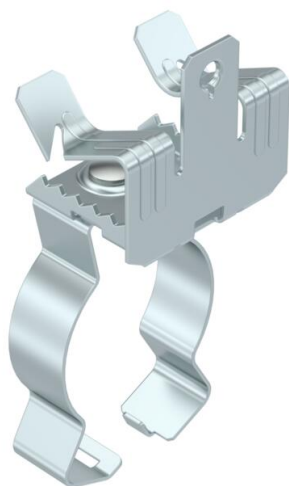
Technical data sheet

Support clamp, with pipe seat at bottom

Item number: 1488641



Support clamp for mounting pipes. Closed pipe seat at bottom. Fastening through knocking onto steel girders.



CE

St	Steel
ZL	Zinc slat

Master data

Item number	1488641
Type	SCVPC 14-20 D40
Description 1	Beam clamp
Description 2	with bottom pipe clamp 36-40mm
Manufacturer	OBO
Dimension	14-20mm
Material	Steel
Surface	Zinc slat
Surface standard	
Smallest sales unit	50
Unit of quantity	Piece
Weight	6.3 kg
Weight unit	kg/100 pc.

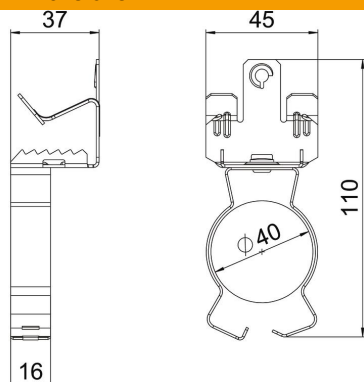
Technical data sheet

Support clamp, with pipe seat at bottom

Item number: 1488641



Dimensions



Length	113 mm
Width	45 mm
Height	36 mm
Dimension L	110 mm

Technical data

Connection type/component	Pipe/cable
Fastening type	Clamp
Breaking load	0.45 kN
Flange thickness F max.	20 mm
Flange thickness F min.	14 mm
Pipe/cable diameter, max.	40 mm
Pipe/cable diameter, min.	36 mm
Hinge, adjustable	no
Hinged	no