

Technical data sheet

Wall and support bracket MWA 12

Item number: 6424620



Light-duty wall and support bracket.
Including truss-head bolt M10 x 25 for fastening to
U supports.
Including truss-head screw M10 x 25 for fastening to
U supports.



St Steel

PE50 PES50 - Polyester/epoxy

Master data

Item number	6424620
Type	MWA 12 21SFSK RW
Description 1	Wall and support bracket
Description 2	with fastening bolt M10x25
Manufacturer	OBO
Dimension	B200mm
Colour	Pure white; RAL 9010
Material	Steel
Surface	PES50 - Polyester/epoxy
Surface standard	
Smallest sales unit	30
Unit of quantity	Piece
Weight	27.4 kg
Weight unit	kg/100 pc.

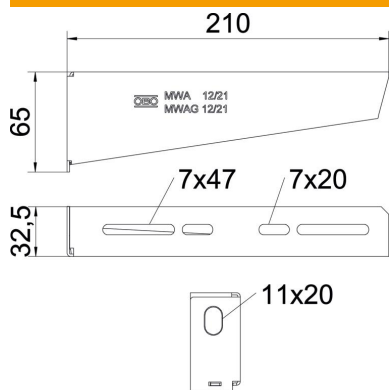
Technical data sheet

Wall and support bracket MWA 12

Item number: 6424620



Dimensions

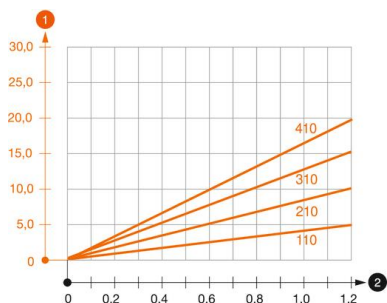


Length	32.5 mm
Width	210 mm
Height	65 mm
Dimension A	32.5 mm
Dimension B	210 mm
Dimension H	65 mm
Dimension L	210 mm

Technical data

Version for	Wall and support bracket
F in kN	1.2 kN
Maintain electrical functions	no
Hole diameter	11 mm
Rustproof steel, pickled	no
Angle range, max.	90 mm
Angle range, min.	90 mm

Loads



Load diagram, bracket, type MWA 12

- 1 Bending of the bracket tip at permitted bracket load
- 2 Permitted bracket load in kN without man load
- Load curve with bracket lengths in mm

Characteristic anchor load values for wall and support bracket MWA 12

Wall fastening

Anchor type	Max. load [kN]			
	Bracket width [mm]			
	110	210	310	410
BZ-U 8-10-21/75	1.2	0.95	0.7	0.65
BZ-U 10-10-30/90	1.2	1.2	1.2	1.2

Max. total load F = cable weight + cable tray + bracket. The load capacity values increase considerably when used in uncracked concrete. The values given are based on concrete of strength class C20/25. Observe the installation conditions of the DIBt approval (anchors).