

Technical data sheet

Hold-down clamp A4

Item number: 6015310



Hold-down clamp for fastening mesh cable trays. Including lens head screw.
Use on mesh cable trays with 50 x 100 mm grid only.



A4 Stainless steel

2B Bright, treated

Master data

Item number	6015310
Type	GKS 50 07 A4
Description 1	Hold-down clamp
Description 2	with lens head screw M6x30
Manufacturer	OBO
Dimension	60x40
Colour	stainless steel
Material	Stainless steel
Surface	Bright, treated
Surface standard	
Smallest sales unit	50
Unit of quantity	Piece
Weight	4 kg
Weight unit	kg/100 pc.
CO2 Footprint (GWP) Cradle-to-Gate	0,2606 kg CO2e / 1 Piece

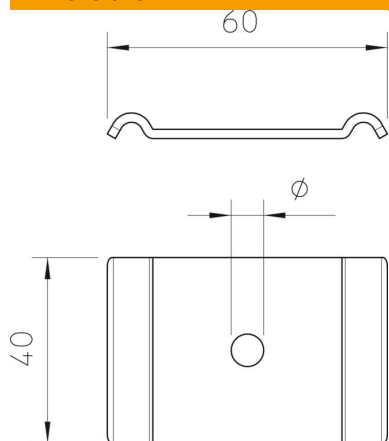
Technical data sheet

Hold-down clamp A4

Item number: 6015310



Dimensions



Technical data

Suitable for mesh cable tray	yes
Suitable for cable ladder	no
Suitable for cable tray	no
Hole diameter	7 mm
Rustproof steel, pickled	no
Connection type	Miscellaneous