

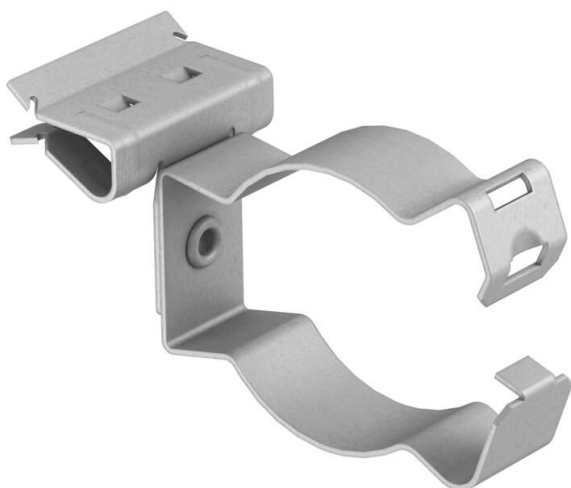
Technical data sheet

Support clamp, for pipes, closed/side

Item number: 1483713



Beam clamp for knocking in with closed pipe seat as individual fastening solution on the beam.



CE

| | |
|----|-----------|
| St | Steel |
| ZL | Zinc slat |

Master data

| | |
|---------------------|-------------------------|
| Item number | 1483713 |
| Type | BCHPC 14-20 D25 |
| Description 1 | Beam clamp |
| Description 2 | with pipe clamp 22-26mm |
| Manufacturer | OBO |
| Dimension | 14-20mm |
| Material | Steel |
| Surface | Zinc slat |
| Surface standard | |
| Smallest sales unit | 50 |
| Unit of quantity | Piece |
| Weight | 4.1 kg |
| Weight unit | kg/100 pc. |

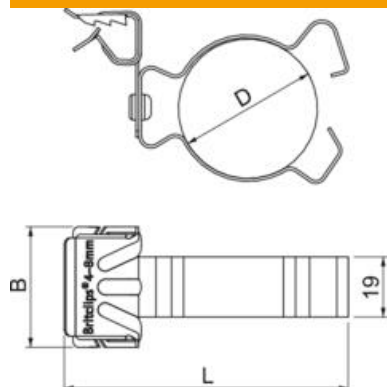
Technical data sheet

Support clamp, for pipes, closed/side

Item number: 1483713



Dimensions



Technical data

| | |
|---------------------------|------------|
| Connection type/component | Pipe/cable |
| Fastening type | Clamp |
| Breaking load | 0.45 kN |
| Flange thickness F max. | 20 mm |
| Flange thickness F min. | 14 mm |
| Pipe/cable diameter, max. | 26 mm |
| Pipe/cable diameter, min. | 22 mm |
| Hinge, adjustable | no |
| Hinged | no |